

SWIT

TD-R230S

Light pole dual battery snap-on adapter

Ver:A

USER MANUAL

SWIT Electronics Co.,LTD.

Tel:+86-25-85805753
Fax:+86-25-85805296
http://www.swit.cc
E-mail: contact@swit.cc

Thank you for choosing SWIT products, Please read the instructions before using and keep it for future reference.

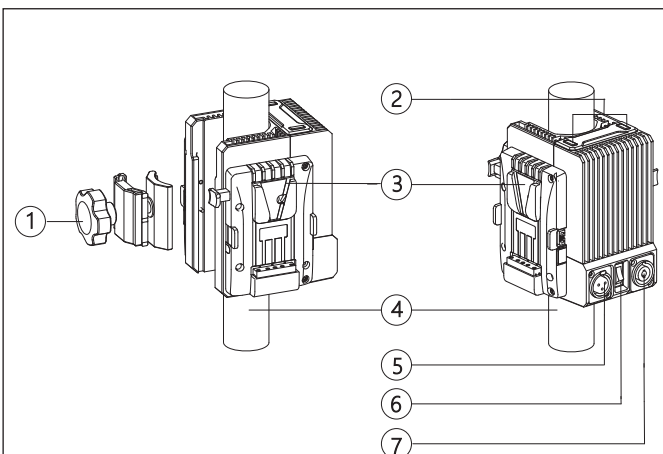
Warning

- ◆ Do not allow the adapter to come into contact with rain.
- ◆ Keep the electrodes clean and do not allow a short circuit between them
- ◆ Make sure that the power of the equipment using the electricity meets the battery specifications.
- ◆ Please mount the adapter reliably on a stand to prevent serious damage due to drops.

Characteristics

- ◆ Compatible with SWIT high voltage and dual voltage batteries, with the maximum output of 48V/750W when using SWIT HB-C420S..
- ◆ One SPEAKON interface, supports 22~33.6V battery direct out power.
- ◆ Dual LEDs for individual channel status indication.
- ◆ Compatible with tripods with diameters from 25mm to 45mm.
- ◆ Small size and innovative fanless cooling design for quieter and more convenient use.
- ◆ Symmetrical design for a more stable centre of gravity.

Description of appearance



- ① Locking device
- ② LED indicator
- ③ V-mount plate
- ④ Mounting brackets
- ⑤ 48V 3-core XLR
- ⑥ Adapter switches
- ⑦ SPEAKON

Oversize

Model	TD-R230S	
Output interface	3-core XLR	SPEAKON
Input voltage range	Starting voltage: 25.6~35V	22~33.6V
	Undervoltage value: 23V	
Output power	750W, 48V---15.6A	750W, 22~33.6V---17.4A
Operating temperature	-20-40°C	
Net weight	Around 1.3kg	
SIZE	146*123*110 mm	

Note:

1. It is recommended to use the same type of battery with the same power level;
2. 48V/750W output with SWIT HB-C420S only
3. With other batteries mounted, the maximum output power is the maximum output power of the adapter or the sum of the outputs of the two batteries (Take smaller value).
4. The 3-core XLR output can only be turned on when the battery is mounted at a voltage in the range of 25.6~35V; the 3-core XLR output is turned off when the battery is discharged at a voltage below 23V.

Instructions

1. When the adapter switch is switched off, the LED indicator goes out and there is no output from the discharge port.
2. LED indicator:

Indicator status	
Green	The battery is reliably mounted and the current channel is normal.
Slow flashing red light	The battery is about to run out of power, please replace the battery as soon as possible.
Red	The battery is depleted.
Red light flashing	In case of short circuit, over current, over temperature protection and other abnormal conditions, please unplug all the batteries and cables, wait for the adapter to drop to room temperature or re-plug the batteries can be restored.