

SWIT®

DV Rechargeable Li-ion Battery Pack

Ver: A

USER MANUAL

SWIT Electronics Co.,Ltd.

Tel: +86-25-85805753
Fax: +86-25-85805296
http://www.swit.cc
E-mail: contact@swit.cc

Congratulations on your purchase of this product. Please read this user manual carefully.

Warning

Keep in mind the following precautions to avoid fire and other safety hazards!

1. Do not use battery in fire or hot places to prevent overheating, cracking and other hazards
2. Please do not pierce the battery shell or try to open the shell and decompose the battery.
3. Do not use battery beyond charge, discharge and storage environment temperature.
4. Do not charge the battery in the car or in direct sunlight.
5. Do not use damaged battery.
6. Do not squeeze the battery shell which may cause physical damage.
7. Make sure the power-consuming equipment(s) meet the battery specifications.
8. Use SWIT charger or SWIT recommended charger to charge the battery to avoid overheating or cracking.
9. Keep out of the reach of children.

Caution

1. Fully charged battery will discharge naturally and please use it as soon as it gets charged.
2. The battery may become warm in use or while being charged. This is normal.
3. Never expose the battery to temperature above 60°C.
4. Keep the battery terminals clean and never short-circuit the battery terminals.
5. When stored for a long time, please keep the battery power over 50%.

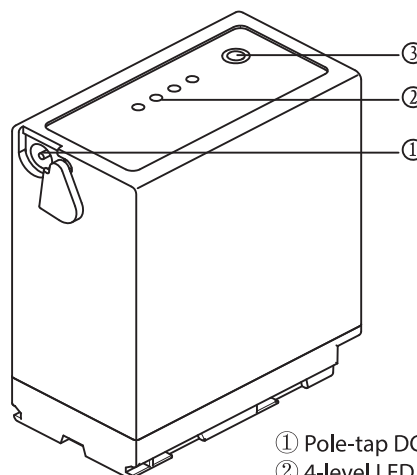
Features

1. High performance Li-ion battery pack, rechargeable.
2. Battery digital information readable by cameras.
3. 4-level LED power indicator to display the battery remaining capacity percentage.
4. Build-in multiple protective circuit design.
5. Pole-tap DC output socket.

Specifications

Model	Nominal voltage	Capacity		Max output		Comparable battery	Dimension	Net weight	Working temperature	Storage temperature
S-8972	7.2V	47Wh	6600mAh	30W	4A	SONY NP-F970	71×39×70mm	300g	discharge: -20-50°C (-10-40°C recommended) charge: 0-40°C (10-30°C recommended)	-20°C-60°C
S-8975	7.2V	75Wh	10400mAh	30W	4A	SONY NP-F970	71×39×70mm	334g		
S-8D62	7.2V	47Wh	6600mAh	30W	4A	Panasonic CGA-D54S/D28S	66×37×82mm	300g		
S-8BG6	7.2V	36Wh	5100mAh	30W	4A	Panasonic VW-VBG6	66×36×82mm	244g		
S-8823	7.2V	18Wh	2500mAh	15W	2A	JVC BN-VF823	53×32×72mm	130g		
S-8845	7.2V	47Wh	6600mAh	30W	4A	Canon BP-955	71×38×70mm	300g		

Description of appearance



- ① Pole-tap DC output socket
- ② 4-level LED power indicators
- ③ Power check button

Note: Please cover the rubber plug in time after use to avoid dust.

Charging

1. The battery can be charged at a temperature range of 0~40°C, but it is recommended to charge at a temperature range of 10°C~30°C to ensure the best performance of the battery.
2. When the battery is discharged to empty (no voltage output), please charge it through the main electrode for a period of time to activate the battery.

Discharging

1. The battery can discharge at a temperature range of -20°C~50°C; it is recommended to discharge at a temperature range of -10~40°C to ensure the best performance of the battery.
2. At low temperature, the battery internal resistance will increase, and the discharging time will shorten, which may lead to automatically cut off if the load is heavy.